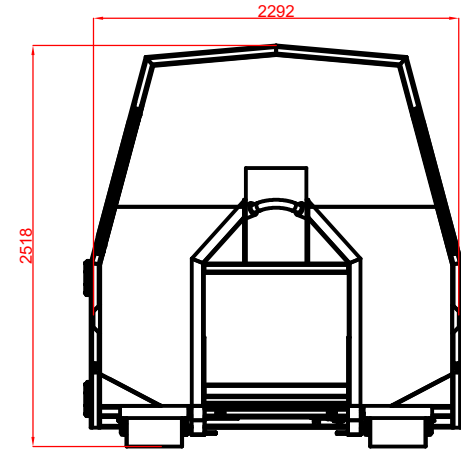
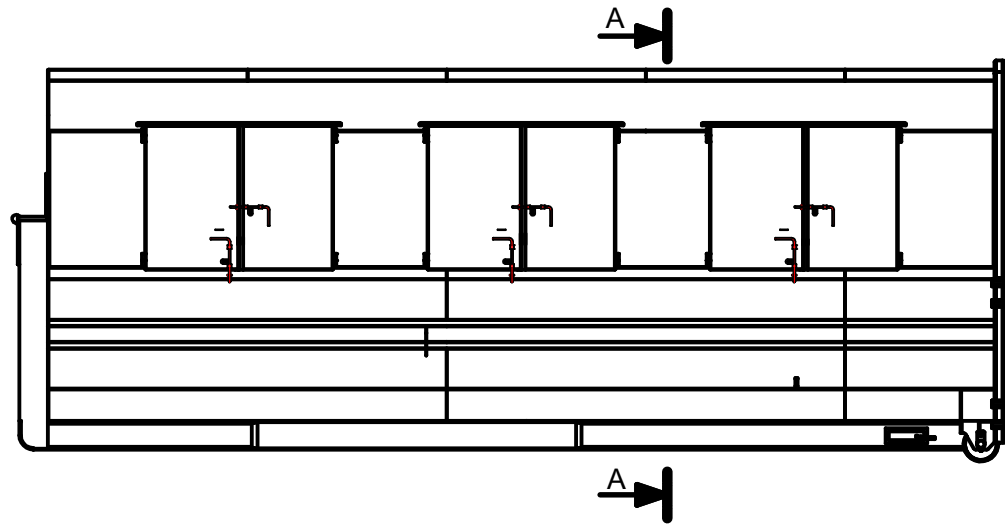
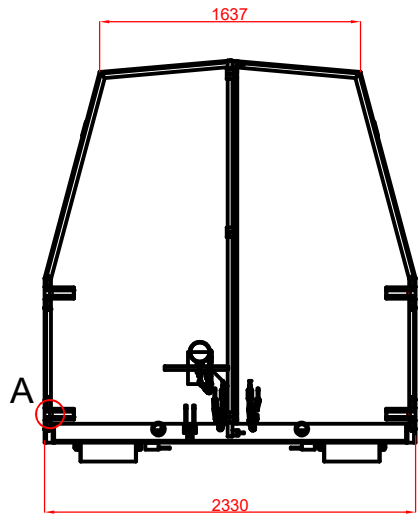
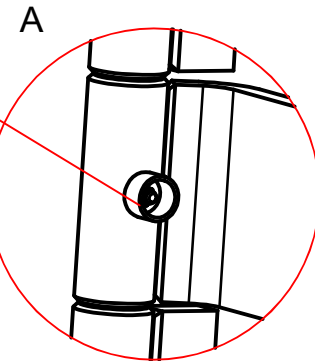
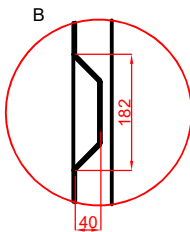
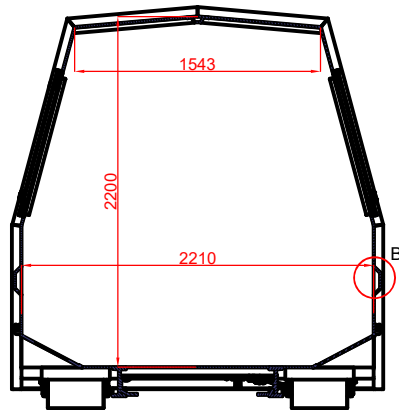



	thick.	quality
sides	3	S235
bottom	3	S235
roof	3	S235
steel lids	2	S235



A-A



cover for nipple

Name	CKLT26	Scale	
Drawing no.		Design	
		Drawn	Tatarynowicz
		Date	23-07-2024
		Checked	Tatarynowicz
		Material	
		Weight	2315kg
		Sheet no.	